

Schäffer

THE COMPACT CLASS

3545 | 3550 | 4250

THE SLT-CLASS:

LOW STYLE LOADER

3550 SLT



**Optimised ergonomics
and power**

YARD LOADERS, WHEEL LOADERS AND TELESCOPIC LOADERS ...

from 20 hp (15 kW) to 157 hp (115 kW). At SCHÄFFER Loaders, we have a proud 50 year history of creating loaders for individual requirements. Our customers have made us what we are today: one of the world's most competitive and successful suppliers of yard loaders, wheel loaders and telescopic loaders. Every day our team creates new custom solutions that combine years of experience with a spirit of innovation. Our products set industry standards for reliability and durability, which means you save with lower servicing costs over the life of your vehicle. The Schaffer name is your assurance of superior performance, safety and comfort for years to come.

made by SCHÄFFER



THE SCHÄFFER COMPACT CLASS: OPTIMISED ERGONOMICS AND POWER

The Schäffer 3500/4200 compact series are the ideal equipment for use in hard to reach areas where great power and user-friendliness must be combined with compact machine dimensions, making Schäffer a leading brand in this segment. The compact machines are also very sturdy and can be used even at extreme temperatures, be it minus 30 degrees Celsius in Iceland or plus 45 degrees Celsius in Australia. The reliability and power of Schäffer loaders is legendary. They can be used for a wide range of tasks in fields such as agriculture, horticulture and landscape gardening, the building industry, warehousing and municipal services. With Schäffer, you can simply move more in less time.

THE COMPACT CLASS

3545 | 33 kW (45 HP)

3550 | 37 kW (50 HP)

3550 SLT | 37 kW (50 HP)

4250 | 37 kW (50 HP)

SCHÄFFER LOADER 3550 SLT: OVERALL HEIGHT 2.04 M ONLY

With an overall height of only 2.04 meters, the new loaders cope with low passages without problems. The design-related deep center of gravity of the machines affects stability and also tipping loads in a positive way. The combination of compact machine size, high maneuverability and outstanding performance makes the machines very versatile and unique.



3500 AND 4200 SERIES OF SCHÄFFER: QUALITY ALL THROUGH

The modern design of the new loaders underlines Schäffer's claim to build extremely dynamic and ergonomic machines. The low engine bonnet doesn't restrict the view backwards. Due to the reduced revs of the diesel engine, a bigger hydrostat can be applied. This transforms the force of the motor into much higher pushing forces via the original Schäffer axles. The fast gear changeable hydraulically under load until 20 km/h is standard for all loaders of the series. The hydraulic tool lock is also included. The extended wheelbase improves the tipping loads.



The protection roof shelters the operator from falling objects.



With the Schaffer headstock SWH the coupling of all attachments is a breeze. The hydraulic lock is standard and very comfortable. Genuine Schaffer attachments are also equipped with the double hook frame. Thus, the roll back and dump angle are adjusted easily. For materials such as grain a larger roll back angle is preferable. A larger dump angle is good for other material such as soil - simple, flexible, ingenious.



SCHÄFFER AXLES – FOR GREATER SAFETY AND STABILITY

SCHÄFFER axles are optimised for each model. The force of the hydrostatic drive system is converted into high pushing forces. You will hardly find a stronger axle than the Schaffer one (7 t payload). The automatic control of the new HTF (High Traction Force) drive train delivers also in the high speed gear the highest thrust. The pressure in the hydraulic drive system is 480 bar. This is as well as the efficiency very high.



SCHÄFFER “EASY-BRAKE”: YOU CAN RELY ON

All Schaffer loaders with propshaft have also the “Easy-Brake”, a brake system with multiple disks. They are running in an oil bath which is completely sealed against moisture and dirt. It simply works nearly without wear and maintenance. You can rely on the performance under all circumstances. The fine way of function will convince you as well as the high braking power.



COMFORT AND SAFETY? WE HAVE IT.

All articulated pendulum joints of the compact class are fully maintenance-free. The conic clamping of the joint is new. The strength of the connection improved once again by 20%. That is why we offer you a warranty for this component of 3 years or 3000 operating hours.

THE 3500/4200 SERIES OF SCHÄFFER: ADVANTAGES AT A GLANCE

Protective roof (optional with restraining system) or cab.

Newly constructed engine bonnet offers a better isolation of the sound, perfect view backwards.

Kubota: World market leader of compact diesel motors. Clean, moneysaving, powerful.

Original Schäffer axles: very strong, high pushing power due to best setup of axle, hydrostatic drive and motor, payload of 7 t per axle.

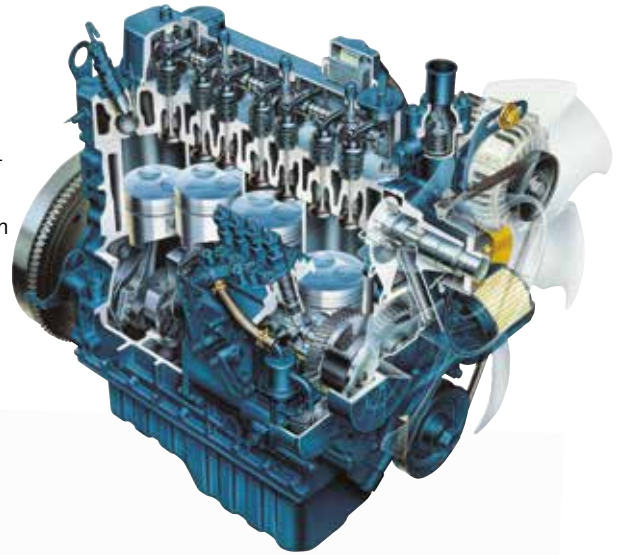
Adjustable steering column

Operators platform with less vibrations.



GREAT POWERS AT WORK ...

KUBOTA is the world's leading manufacturer of compact diesel engines. The engines built into the latest generation of SCHÄFFER loaders consume even less fuel, and their fume and soot emissions were also reduced. Noise is also not an issue, as the modern GRP bonnet does not only look great but effectively reduces the noise of the engine. Mechanics and drivers will be pleased to know that they can now replace the oil filter without having to strain their fingers.



PURE ERGONOMICS



ERGONOMICS AT ITS BEST

The redesigned cabin of the 4250 offers a very comfortable work environment. Here, the driver feels fit even after long working days. All operating and control instruments are clearly laid out and user friendly. The comfortable seat and the best leg room leave nothing to be desired. The generous use of glass allows the driver perfect visibility to the tool and maneuvering. All hydraulic functions can be integrated in the joystick, providing precise and sensitive single-lever control. The left hand remains on the steering wheel for safe operation.

STANDARD ON 4250 WITH CAB:



2x Dual Power working lamp front,
1x Single Power rear



Switch bar,
electric plug



Multifunctional joystick



Bottle holder,
battery switch



Perfect view upwards with roller blind

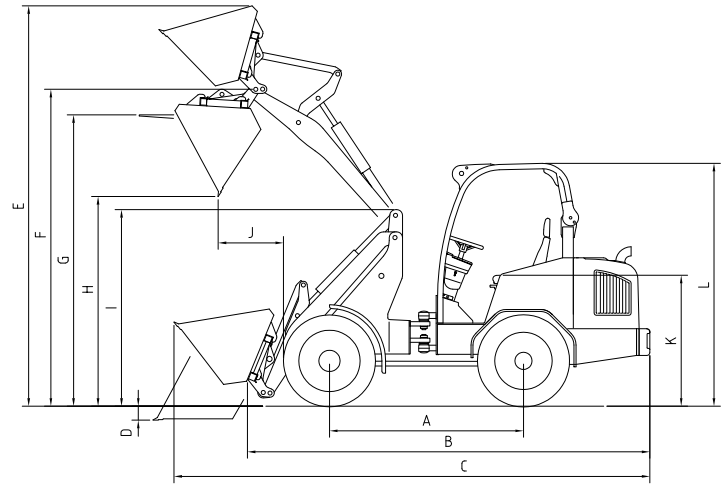
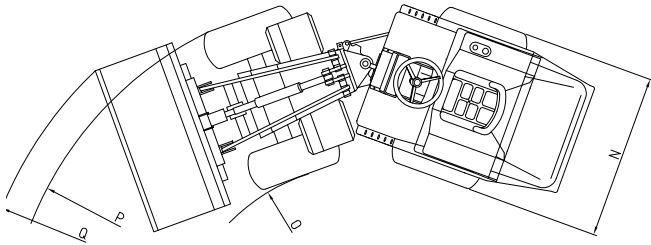
TECHNICAL DATA



	3545	3550	3550 SLT	4250
Motor	4 Cyl. Kubota Turbo 33 kW (45 HP)	4 Cyl. Kubota 37 kW (50 HP)	4 Cyl. Kubota 37 kW (50 HP)	4 Cyl. Kubota 37 kW (50 HP)
Drive Hydraulics	Hydrostatic automotive	Hydrostatic automotive, HTF (High Traction Force)	Hydrostatic automotive, HTF (High Traction Force)	Hydrostatic automotive HTF (High Traction Force)
Tires	10.0/75 - 15.3 AS Option I 11.5/80 - 15.3 AS Option II 31 x 15.5 - 15 Option III 15.0/55 - 17	10.0/75 - 15.3 AS Option I 11.5/80 - 15.3 AS Option II 31 x 15.5 - 15 Option III 15.0/55 - 17 Option IV 425/55 R17	10.0/75 - 15.3 AS Option I 11.5/80 - 15.3 AS Option II 31 x 15.5 - 15 Option III 15.0/55 - 17 Option IV 425/55 R17	11.5/80 - 15.3 AS Option I 15.0/55 - 17 Option II 425/55 R17
Operating Brake System	Combination Hydrostatic and multiple-disk	Combination Hydrostatic and multiple-disk	Combination Hydrostatic and multiple-disk	Combination Hydrostatic and multiple-disk
Parking Brake	Multiple Disk in Oil Bath	Multiple Disk in Oil Bath	Multiple Disk in Oil Bath	Multiple Disk in Oil Bath
Operation Hydraulics Steering Hydraulics	Flow Rate: from 42 l/min Working Pressure: 200 bar	Flow Rate: from 46 l/min Working Pressure: 200 bar	Flow Rate: from 46 l/min Working Pressure: 200 bar	Flow Rate: from 52 l/min Working Pressure: 200 bar
Steering	Fully Hydraulic Articulated Steering	Fully Hydraulic Articulated Steering	Fully Hydraulic Articulated Steering	Fully Hydraulic Articulated Steering
Lifting Capacity	2.000 kg	2.000 kg	2.000 kg	2.300 kg
Tip-over load, straight	1.700 kg*	1.800 kg*	1.800 kg*	2.000 kg*
Tip-over load, bent	1.300 kg*	1.400 kg*	1.400 kg*	1.500 kg*
Axles	Original SCHÄFFER axles, 6 wheel nut rim; Option: automatic limited slip brake	Original SCHÄFFER axles, 6 wheel nut rim; Option: automatic limited slip brake	Original SCHÄFFER axles, 6 wheel nut rim; Option: automatic limited slip brake	Original SCHÄFFER axles, 6 wheel nut rim; Option: automatic limited slip brake
Gross Vehicle Weight	2.650 kg 2.850 kg with cab	2.800 kg 3.000 kg with cab	2.800 kg	3.100 kg 3.300 kg with cab
Speed	0 – 20 km/h	0 – 20 km/h, 2 speeds gear switching under load possible; Option: 0-28 km/h	0 – 20 km/h, 2 speeds gear switching under load possible; Option: 0-28 km/h	0 – 20 km/h, 2 speeds gear switching under load possible; Option: 0-28 km/h
Electrical System	Operating Voltage 12 V	Operating Voltage 12 V	Operating Voltage 12 V	Operating Voltage 12 V
Fluid Capacities	Fuel: 48 l Hydraulic oil: 50 l	Fuel: 55 l Hydraulic oil: 50 l	Fuel: 55 l Hydraulic oil: 50 l	Fuel: 85 l Hydraulic oil: 60 l

* Pallet fork and load arm in transport condition.

DIMENSIONS



		3545	3550	3550 SLT	4250
A	Axle base [mm]	1.800	1.800	1.800	1.840
B	Chassis length [mm]	3.485	3.485	3.485	3.680
C	Total length with standard bucket [mm]	4.185	4.185	4.185	4.500
D	Excavating depth [mm]	90	90	90	130
E	Max. working height [mm]	3.550/3.800*	3.550/3.800*	3.550	4.100
F	Max. bucket pivot point [mm]	2.950/3.200*	2.950/3.200*	2.950	3.250
G	Max. loading height with pallet fork [mm]	2.810/3.010*	2.810/3.010*	2.810	3.070
H	Max. dump height [mm]	2.140/2.390*	2.140/2.390*	2.140	2.420
I	Front end height [mm]	1.700/1.790	1.700/1.790	1.700	1.850
J	Dump range [mm]	560	560	560	300
K	Seat height [mm]	1.150	1.150	1.030	1.270
L	Height with protective roof [mm] Cab height [mm]	2.270 2.230	2.270 2.230	from 2.040 -	2.270 2.220
N	Total width [mm]	1.020-1.390	1.020-1.670	1.020**-1.670	1.220-1.710
O	Track arc inside [mm]	1.100	1.100	1.100	1.310
P	Track arc outside [mm]	2.120	2.120	2.120	2.530
Q	External radius with standard bucket [mm]	2.500	2.500	2.500	2.880

* Option: with high lifting reach

All technical specifications in this brochures refer to serial models and describe their standard functions. Tipping loads and parallel motion are not guarantee when using a foreign headstock. The equipment components and their functions as well as the accessories depend on the individual model and the product options and also on the country and customer specific requirements. Images may contain products or equipment components which are not mentioned or cannot be obtained as a standard. The descriptions, measurements, images, weight specifications and technical data correspond to the state of the art at the time of printing and are non-binding.

We reserve changes in the field of construction, equipment, optics and technology without prior notice, due to the continuous development of the products. In case of doubts concerning the performance or the mode of operation of our products due to special circumstances, we recommend the execution of work samples under controlled conditions. We cannot exclude deviations from images or measurements, calculation errors, printing errors or incompleteness in the brochures despite all due care. We do therefore not accept any liability for the correctness and completeness of the specifications in this brochures. We do guarantee the proper functioning of our products within the scope of our General Terms and Conditions. Any guarantees that go beyond these are on principle not provided. Any liability beyond the ones set out in our General Terms and Conditions is excluded.



The way SCHÄFFER loaders are developed, built and serviced is unique. The difference is our 50 years of experience. First, we think about the operator; we want to make his work safer, more comfortable – and more profitable. To this end, we are equipped with the most modern development and production technologies at our plant in Erwitte, Germany. Ultimately, it is our associates who work with our customers to continuously develop new solutions. Long years of commitment to the company combined with an enduring spirit of innovation are the basis of our exceptional worldwide success.

The name SCHÄFFER Loaders stands for more than one-of-a-kind product quality. It also stands for safety and optimal service, which we guarantee not only in Germany but around the globe.

The purchase of a SCHÄFFER loader is the beginning of a long-term relationship. Only original replacement parts allow your machine to remain a 100% true SCHÄFFER over the years. Only then will it guarantee the reliability you rightly expect. We offer you and our service partners a 24 hour delivery service – 7 days a week, 365 days a year.



made by SCHÄFFER

SCHÄFFER offers you a product line-up of over 40 different models, each of which can be adapted to your individual requirements. Our loaders can be used in many different industries: in agriculture or construction, in horticulture or landscaping, in industry and trade, in horse husbandry or warehousing. Whatever the industry, SCHÄFFER is always your first choice.



Your dealer:

Schäffer

SCHÄFFER MASCHINENFABRIK GMBH
Postfach 10 67 | D-59591 Erwitte
fon +49 02943 9709-0
fax +49 02943 9709-50
info@schaeffler-lader.de
www.schaeffler-lader.de